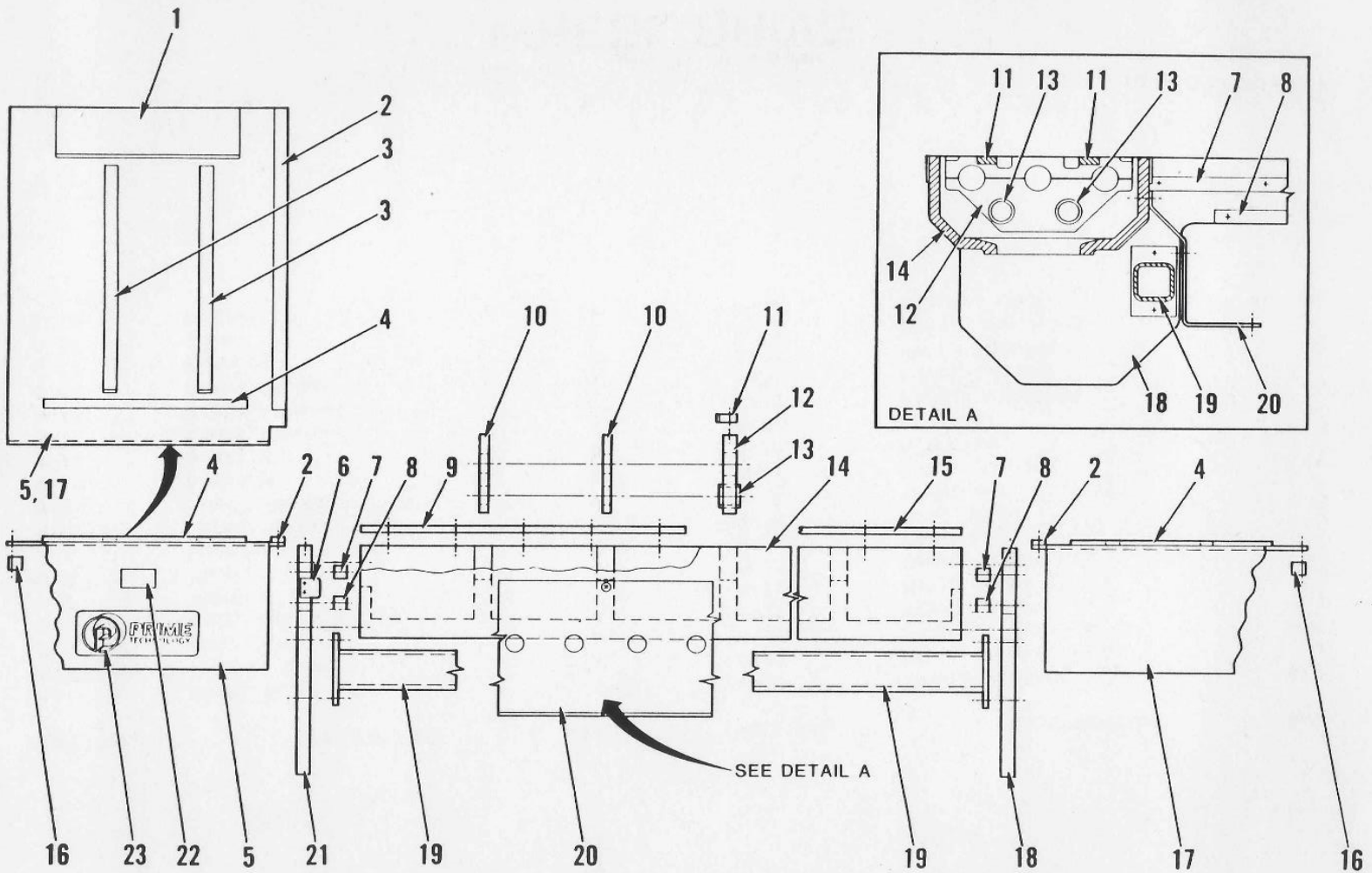


When ordering parts from this catalog please furnish the page number, code number and machine serial number.

CODE NO.	DESCRIPTION	QTY	CODE NO.	DESCRIPTION	QTY
7-1	Runner, Cross	2	7-13	Bushing	4
7-2	Strip, Side	2	7-14	Wheel Box	1
7-3	Runner	4	7-15	Lip, Trail	3
7-4	Runner, Cross, Lead-In	2	7-16	Bar, Bed Support	2
7-5	Bed, Side, O.S.	1	7-17	Bed, Side, D.S.	1
7-6	Block, Carriage Stop	1	7-18	Frame, Inner, D.S.	1
7-7	Bar, Rail	2	7-19	Crosstie, Inner Frame	1
7-8	Rack	2	7-20	Bed, Center	1
7-9	Lip, Lead	3	7-21	Frame, Inner, O.S.	1
7-10	Cap & Base, Bulkhead	4	7-22	Nameplate, Pat/Pend	1
7-11	Block, Rub	4	7-23	Nameplate, Prime	1
7-12	Support, Center	2			



MAIN STRUCTURE AND BEDS