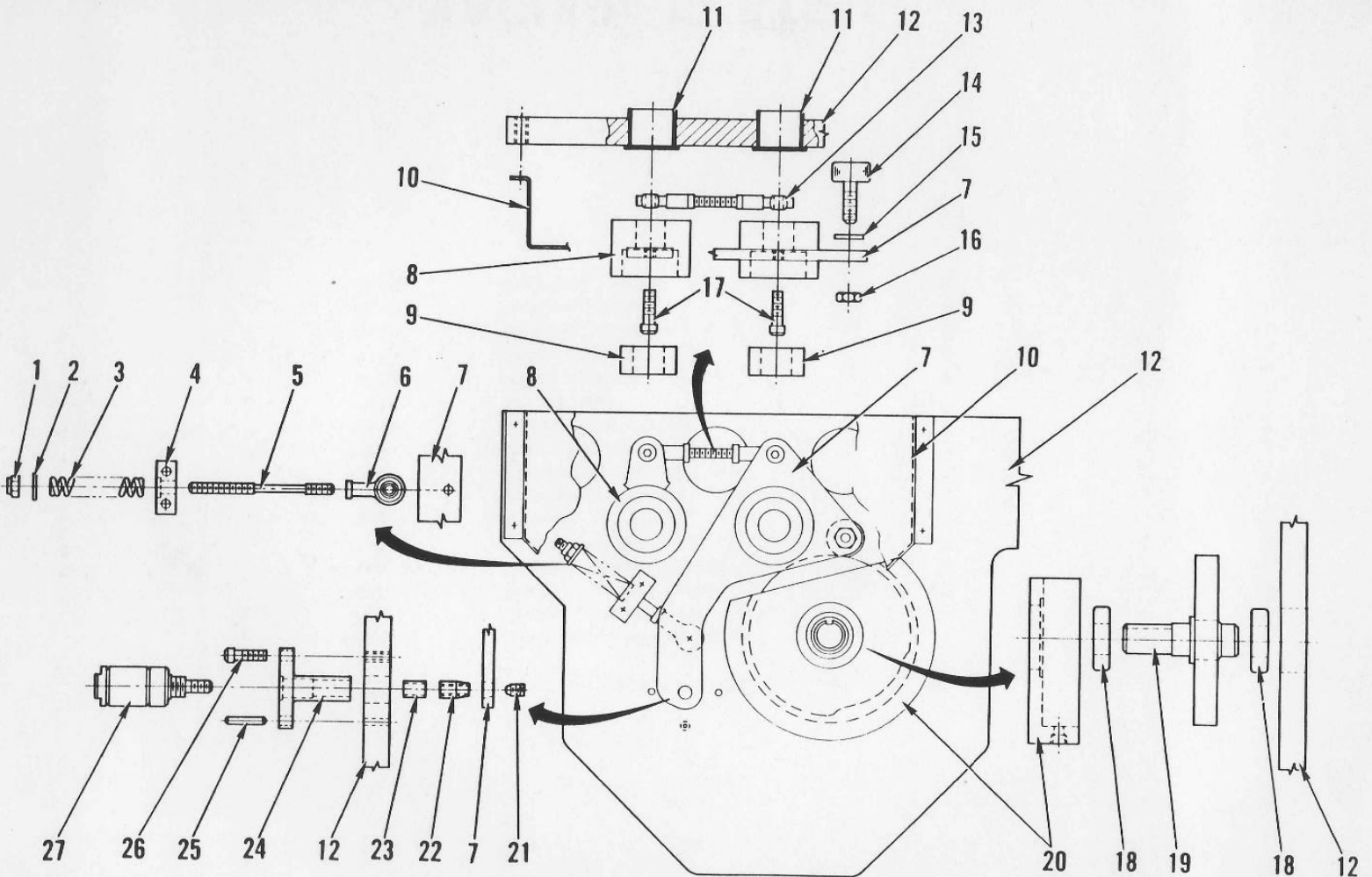


When ordering parts from this catalog please furnish the page number, code number and machine serial number.

CODE NO.	DESCRIPTION	QTY	CODE NO.	DESCRIPTION	QTY
5-1	Nut, Hex. Stop	1	5-15	Washer	1
5-2	Washer, Flat	1	5-16	Nut, Hex.	1
5-3	Spring	1	5-17	Screw, Cap, Socket Hd.	2
5-4	Block, Spring	1	5-18	Bearing	2
5-5	Rod, Spring	1	5-19	Cam, Lowering	1
5-6	End, Rod	1	5-20	Housing, Cam	1
5-7	Lever, Dog Leg	1	5-21	Screw, Set	1
5-8	Lever, Dog Ear	1	5-22	Tip, Interrupter	1
5-9	Locking Assembly	2	5-23	Bushing, Rod	1
5-10	Dust Cover, Cam	1	5-24	Housing, Interrupter	1
5-11	Bushing	2	5-25	Pin, Dowel	2
5-12	Frame, Inner, O.S.	Ref	5-26	Screw, Cap, Socket Hd.	2
5-13	Conn. Link, Dog Lever	1	5-27	Cylinder, Air	1
5-14	Follower, Cam	1			



LOWERING MECHANISM